

**2002-2009 Kawasaki Prairie 360  
Winch Mount Kit  
MA11931**



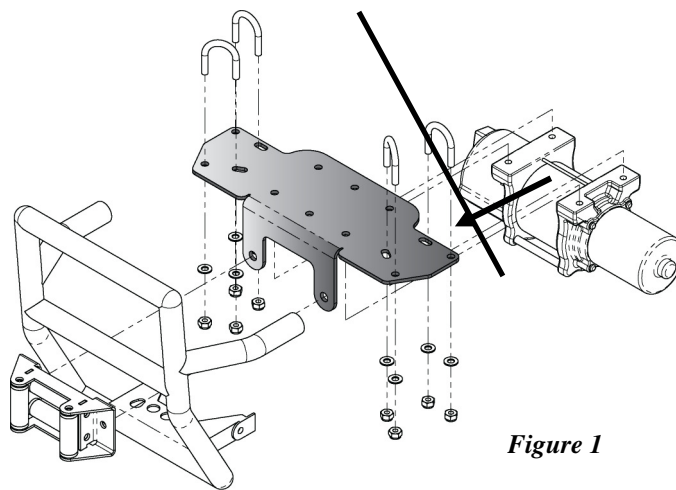
**Kit Components:**

| <u>Qty</u> | <u>Part Description</u>                          |
|------------|--|
| 1.....     | Winch Mount                                      |
| 4.....     | 5/16" x 1-1/4" x 1-3/4" U-Bolt (Fastenal: 42021) |
| 8.....     | 5/16" Nylock Nut                                 |
| 8.....     | 5/16" SAE Flat Washer                            |

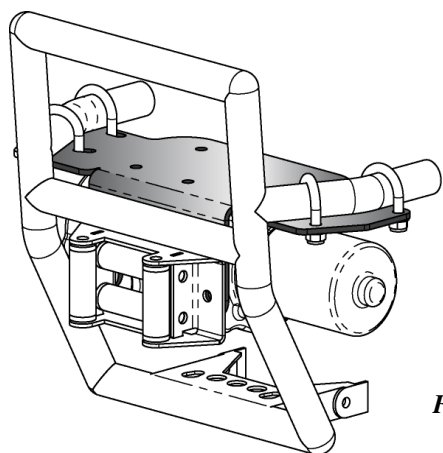
When the Winch is mounted, the cable should come off of the spool as shown

**INSTALLATION INSTRUCTIONS:**

1. Begin by assembling the mount to your front tube bumper as shown in Figure 1 and 2 using the supplied U-Bolts. Do Not tighten U-Bolts at this time. (Figure 1 & 2)
2. Assemble your Fairlead to the mounting bracket using the hardware that was supplied with your Fairlead and tighten. (Figure 1 & 2)
3. Assemble your Winch to the mounting bracket using the hardware that was supplied with your Winch and tighten. (Figure 1 & 2)
4. At this time, tighten the U-bolts from Step 1.
5. Using the instructions provided with your winch, wire accordingly.



*Figure 1*



*Figure 2*

